

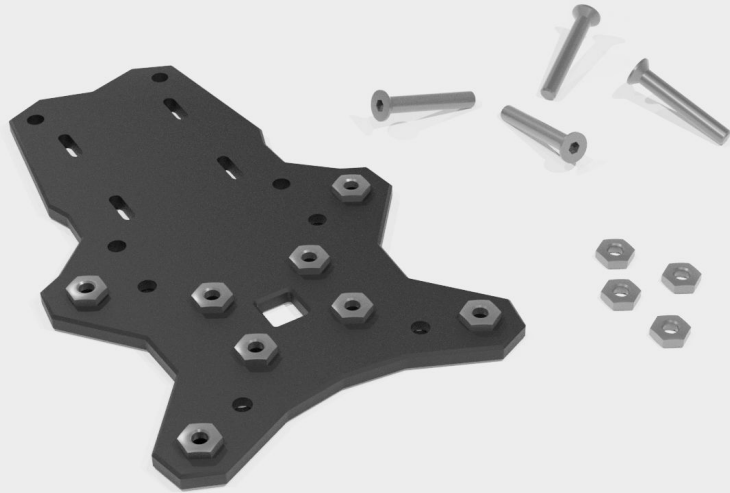


KAYOU
Frames

Build Guide
Kayoudur 5"

◆ 1 Stack Screws

Build Guide



M3x20 Countersunk head screws, held in place against the rear plate with M3 nuts

◆ 2 Arms

Build Guide



Arms are secured by 8x M3 Cylinder Head screw (2 per arm) with washers against the front plate and pressnuts against the rear plate

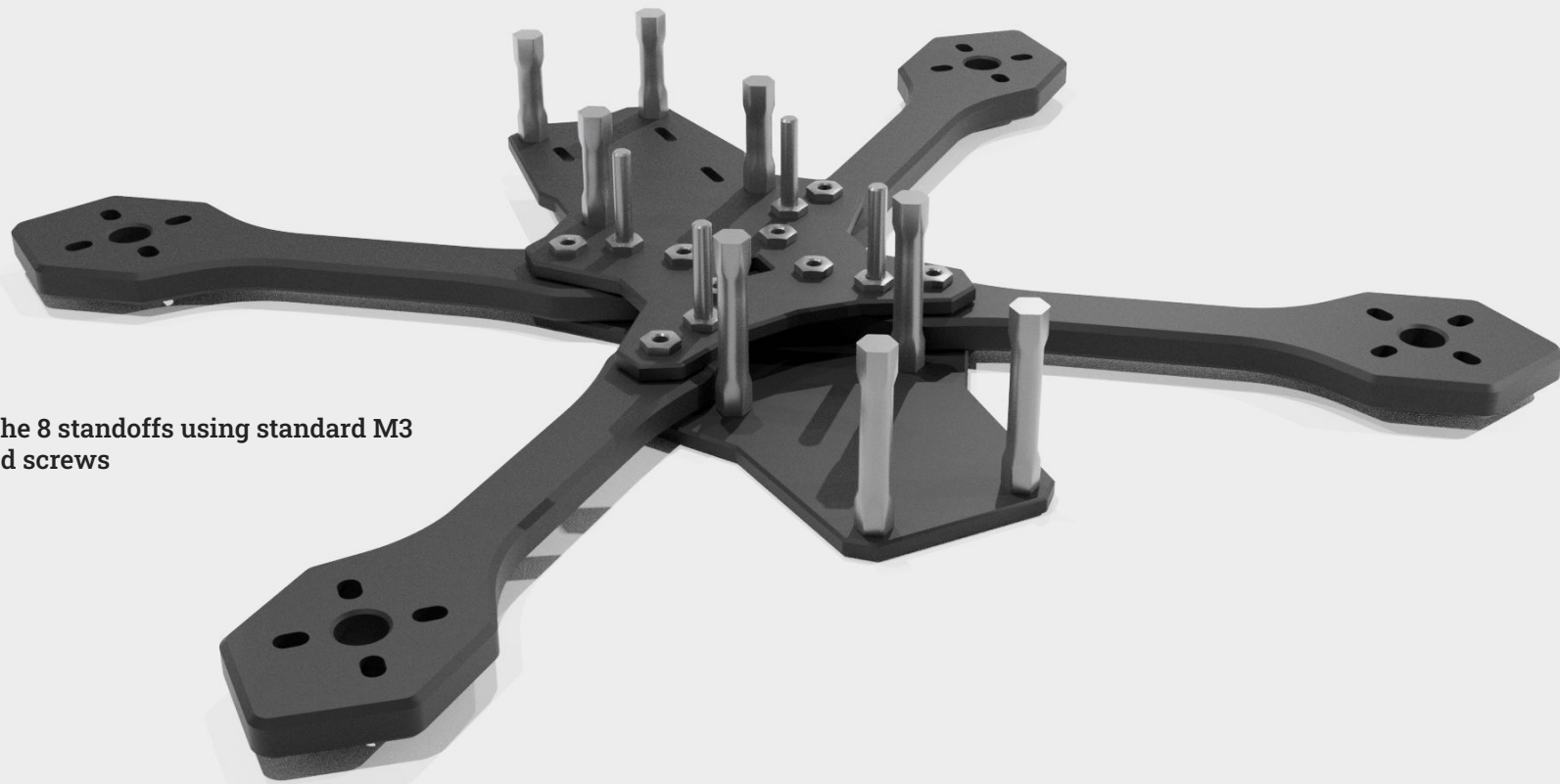


Always pre-tighten your arms.

Make sure they're well aligned using this cut on the front plate before tightening correctly.

◆ 3 Standoffs

Build Guide



Mount the 8 standoffs using standard M3 pan head screws

◆ 4 Top plate

Build Guide

The Top plate is held by 4 Countersunk head screws on the back and 4 pan head screws on the front like shown



Welcome to the KayouGang, enjoy your build !

Go out and rip some bandos, make sure to send us pictures of your Kayoudur on
instagram @Kayou_Frames !



KAYOU

Frames