



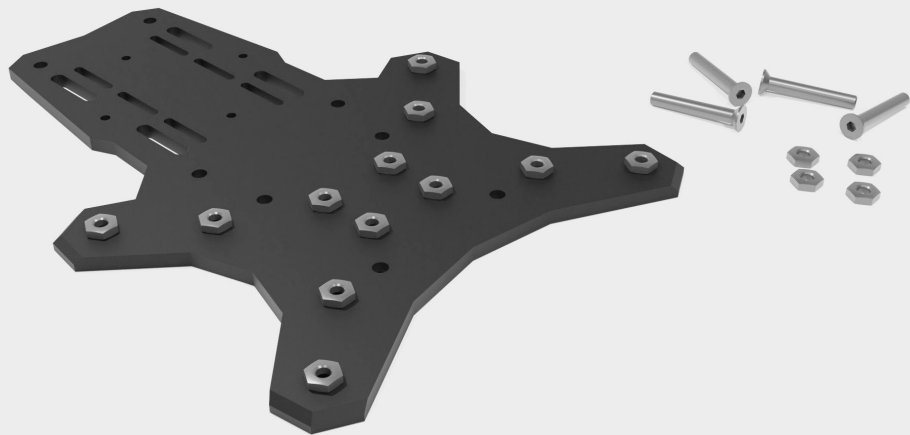
KAYOU

Frames

Build Guide
Kayouloin 7"

◆ 1 Stack Screws

Build Guide



M3x20 Countersunk head screws, held in place against the rear plate with M3 nuts

◆ 2 Arms

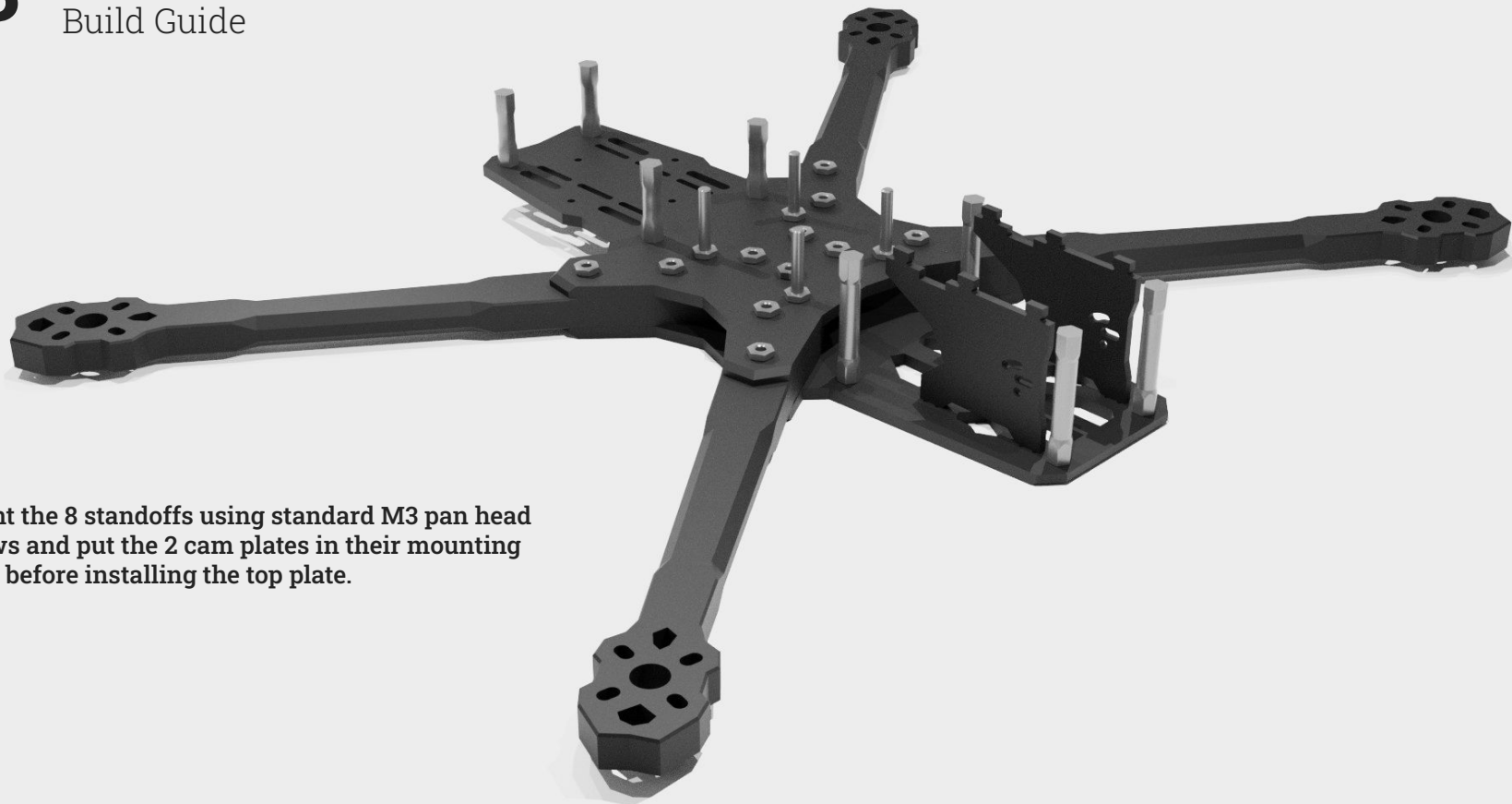
Build Guide



Arms are secured by 12x M3 Cylinder Head screw (3 per arm) with washers against the front plate and pressnuts against the rear plate

◆ 3 Standoffs and Cam Plates

Build Guide



Mount the 8 standoffs using standard M3 pan head screws and put the 2 cam plates in their mounting holes before installing the top plate.

◆ 4 Top plate

Build Guide



The Top plate is held by 6 Countersunk head screws on the back and 2 pan head screws on the front like shown

The 2 remaining pan head screws on the front are held by 2 pressnuts under the top plate and are meant to hold your Action Cam TPU Mount

Welcome to the KayouGang, enjoy your build !

Go out and rip some mountains, make sure to share your journey with us on instagram
@Kayou_Frames !



KAYOU

Frames